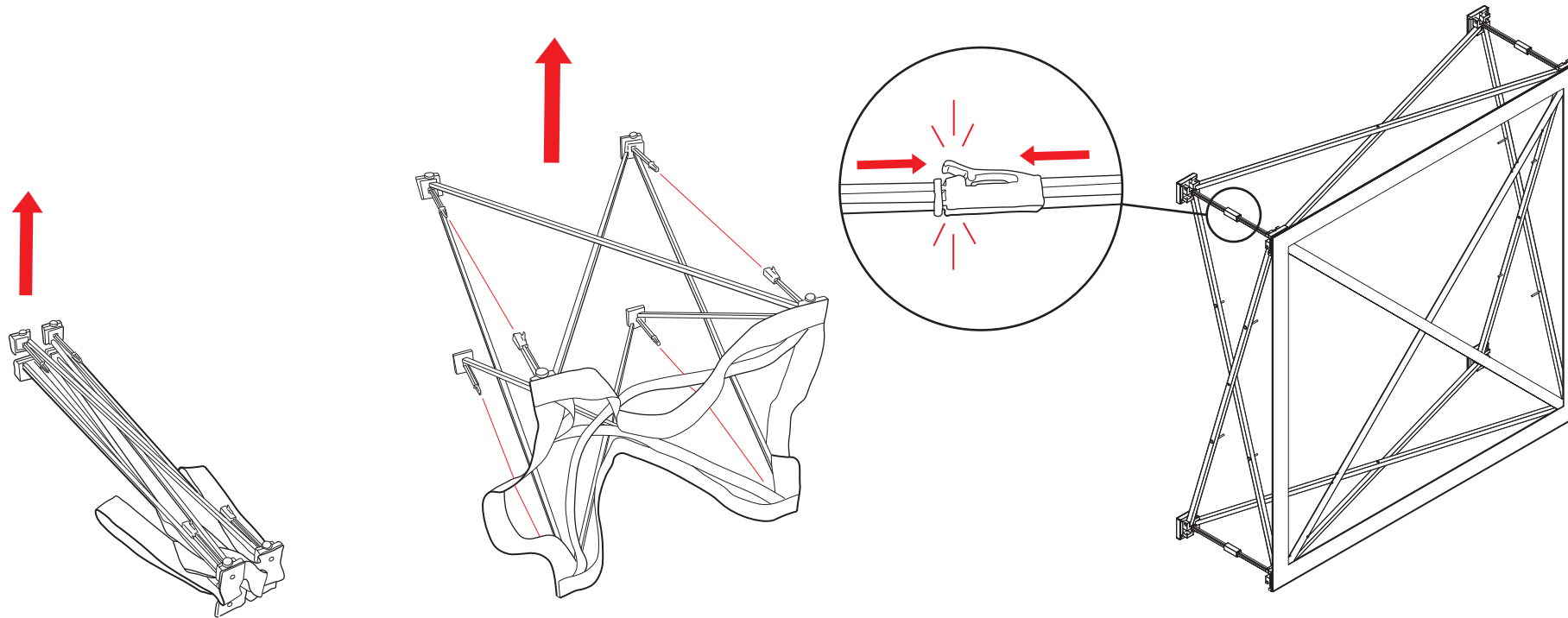
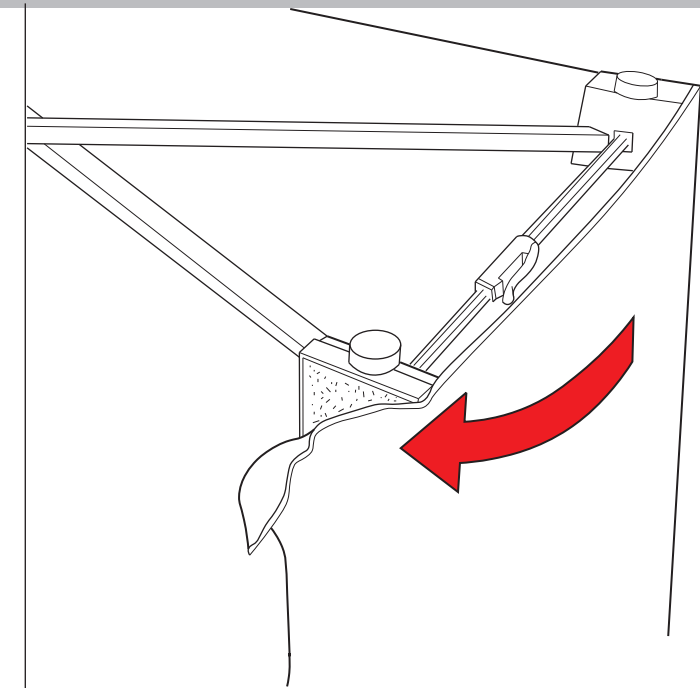


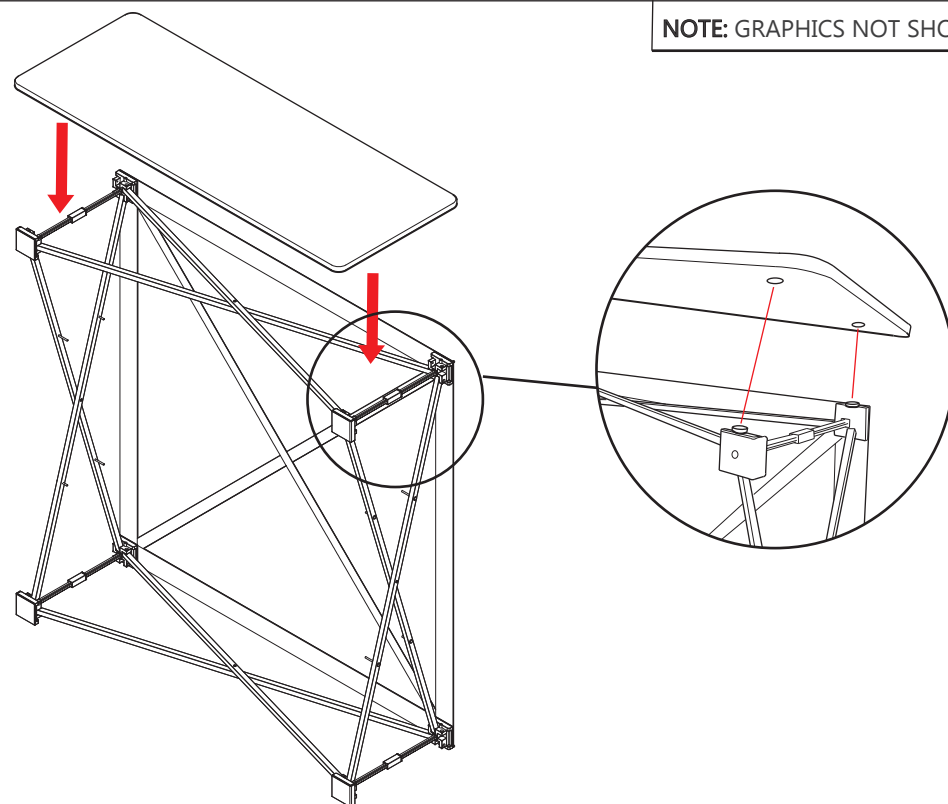
VOOM PODIUM FRAME ASSEMBLY



1 PLACE FRAME ON THE GROUND, INSURING THAT THE ORIENTATION HAS THE CIRCULAR FEET TOUCHING THE FLOOR. GRAB THE FRAME BY THE TOP TWO FEET AND LIFT UP TO EXPAND THE FRAME. INSURE THAT THAT THE FOUR CONNECTORES 'CLICK' INTO PLACE.

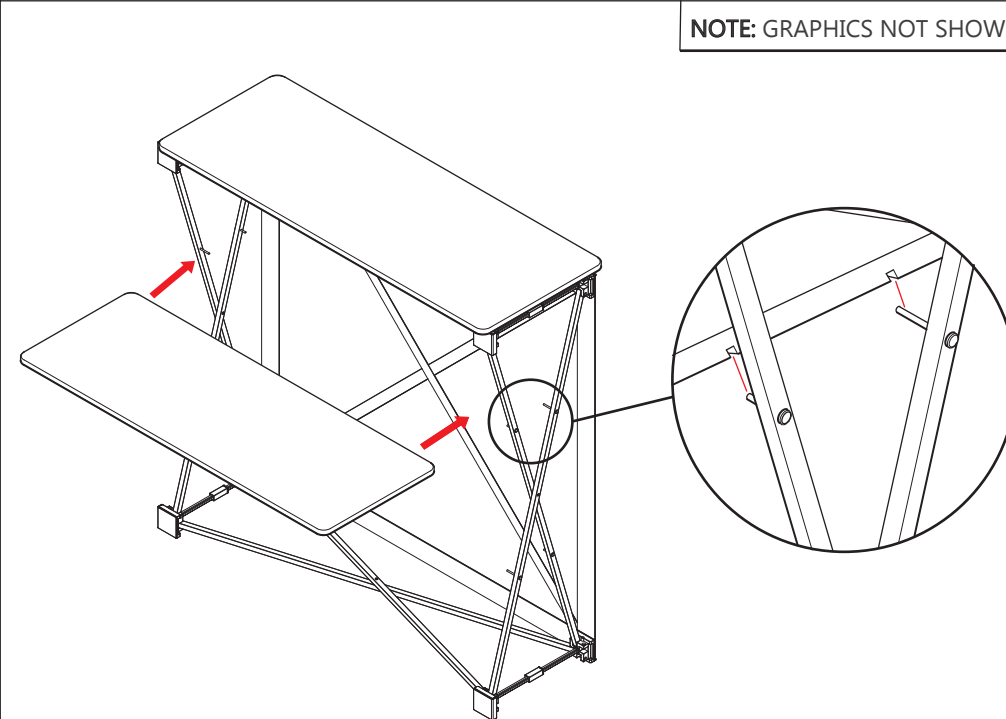


2 APPLY THE GRAPHIC FABRIC STARTING AT ONE OF THE BACK VELCRO SQUARES AND WORKING YOUR WAY CAEFULLY AROUND THE FRAME UNTIL THE GRAPHIC WRAP HAS BEEN FULLY APPLIED.



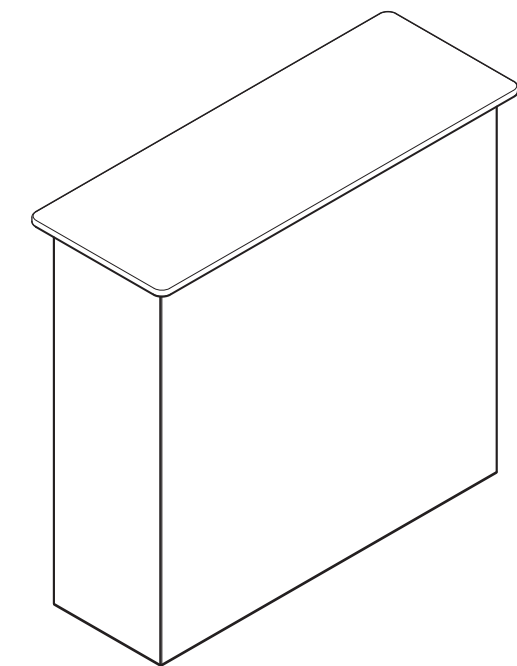
NOTE: GRAPHICS NOT SHOWN.

3 PLACE THE TABLE TOP ONTO THE TOP OF THE FRAME WITH THE CIRCULAR FEET ALLIGNING WITH THE HOLES ON THE BOTTOM OF THE TABLE TOP TO KEEP IT SECURED.



NOTE: GRAPHICS NOT SHOWN.

4 INSTALL THE SHELF BY ALIGNING THE HIGHEST SETS OF PEGS WITH THE SLOTS ON THE SHELF AS SEEN ABOVE.



5