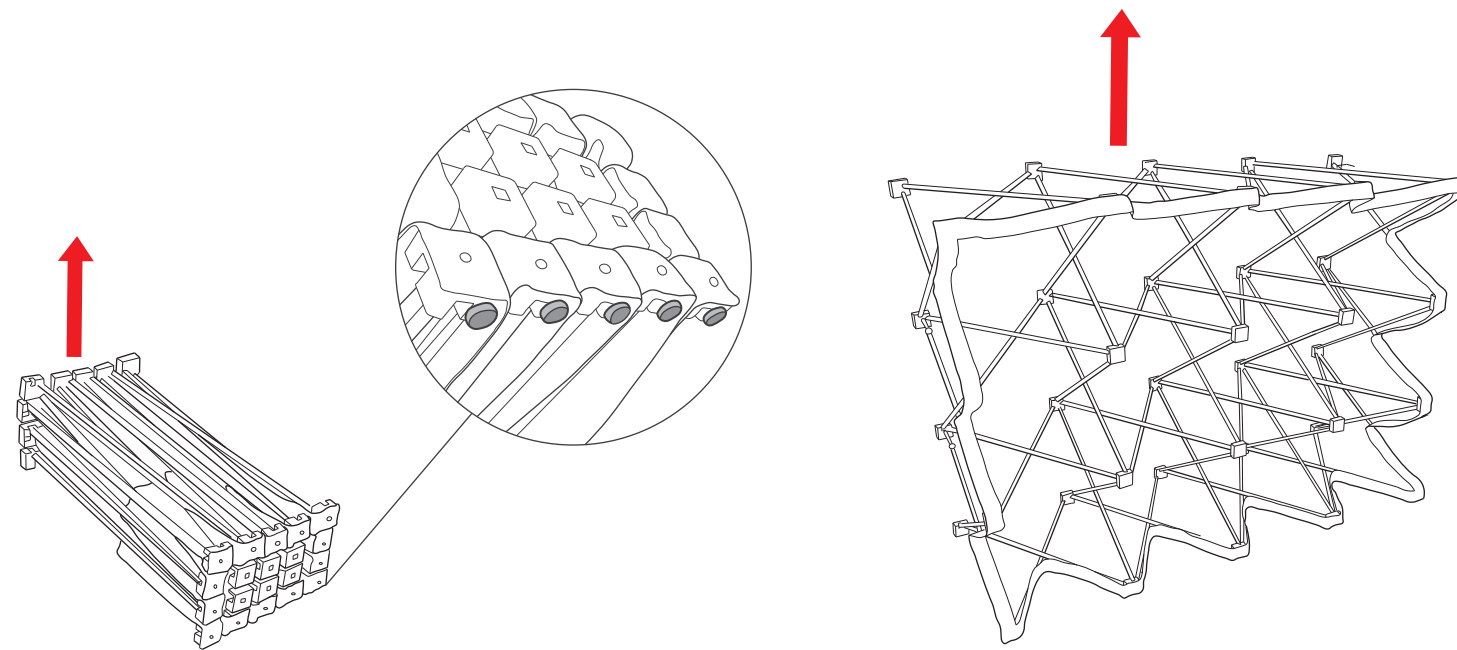
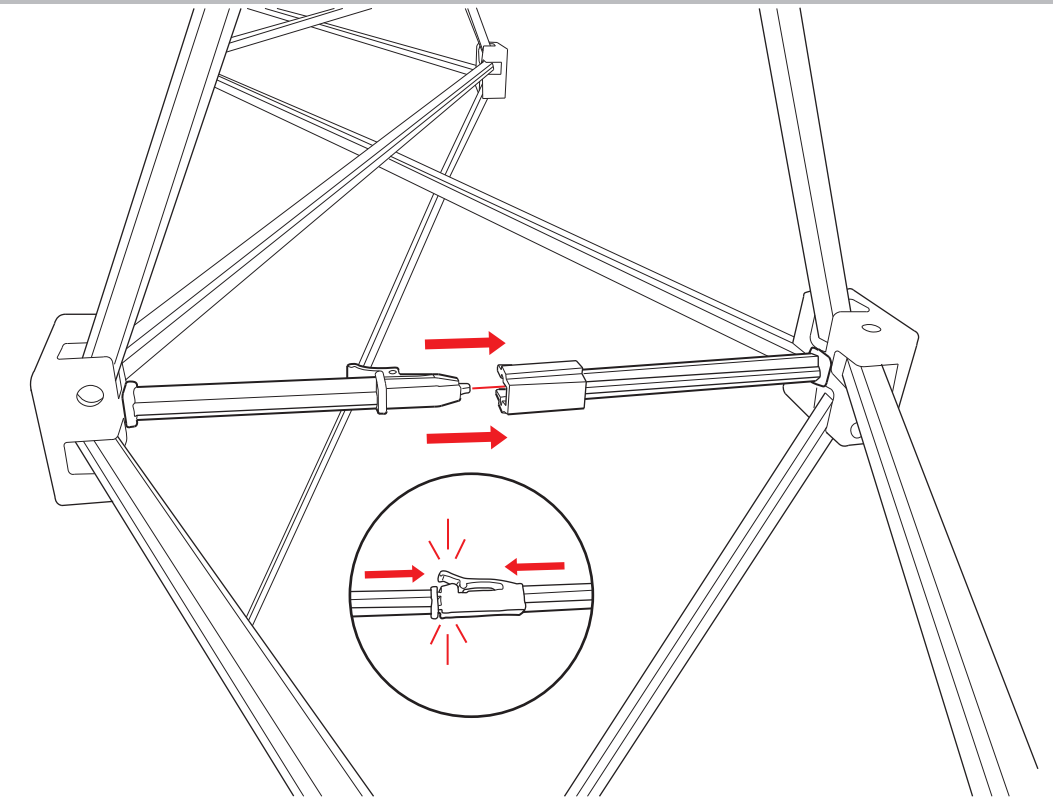


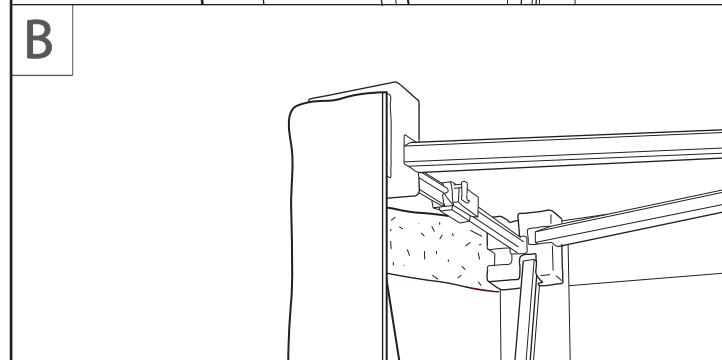
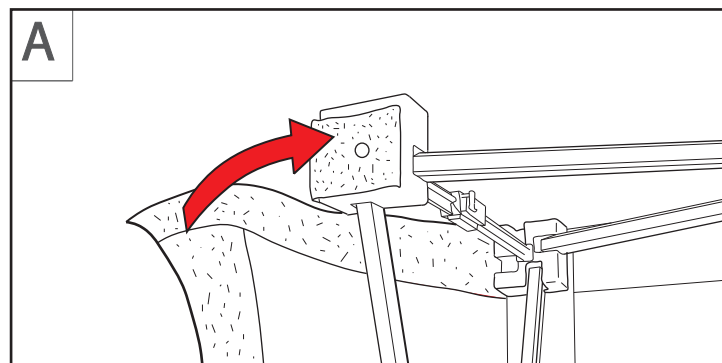
VOOM FRAME ASSEMBLY



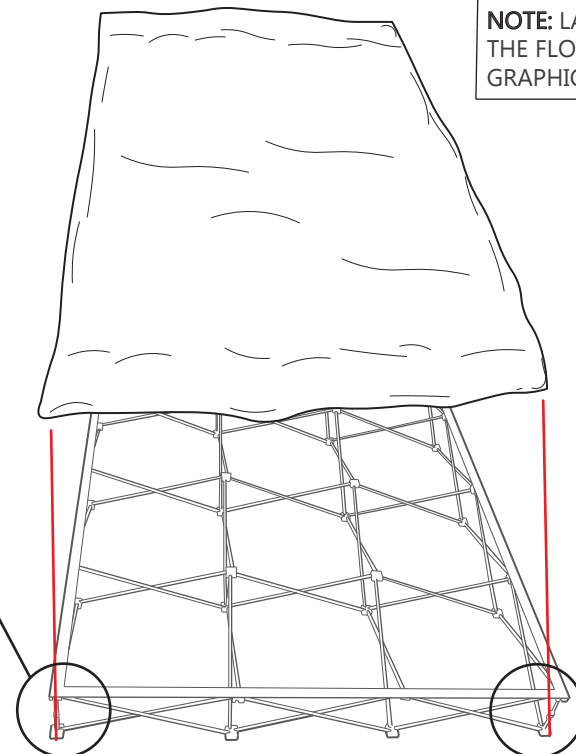
1 PLACE FRAME ON THE GROUND, INSURING THAT THE ORIENTATION HAS THE CIRCULAR FEET TOUCHING THE FLOOR. GRAB THE FRAME FROM THE CENTER AND LIFT UP TO EXPAND THE FRAME.



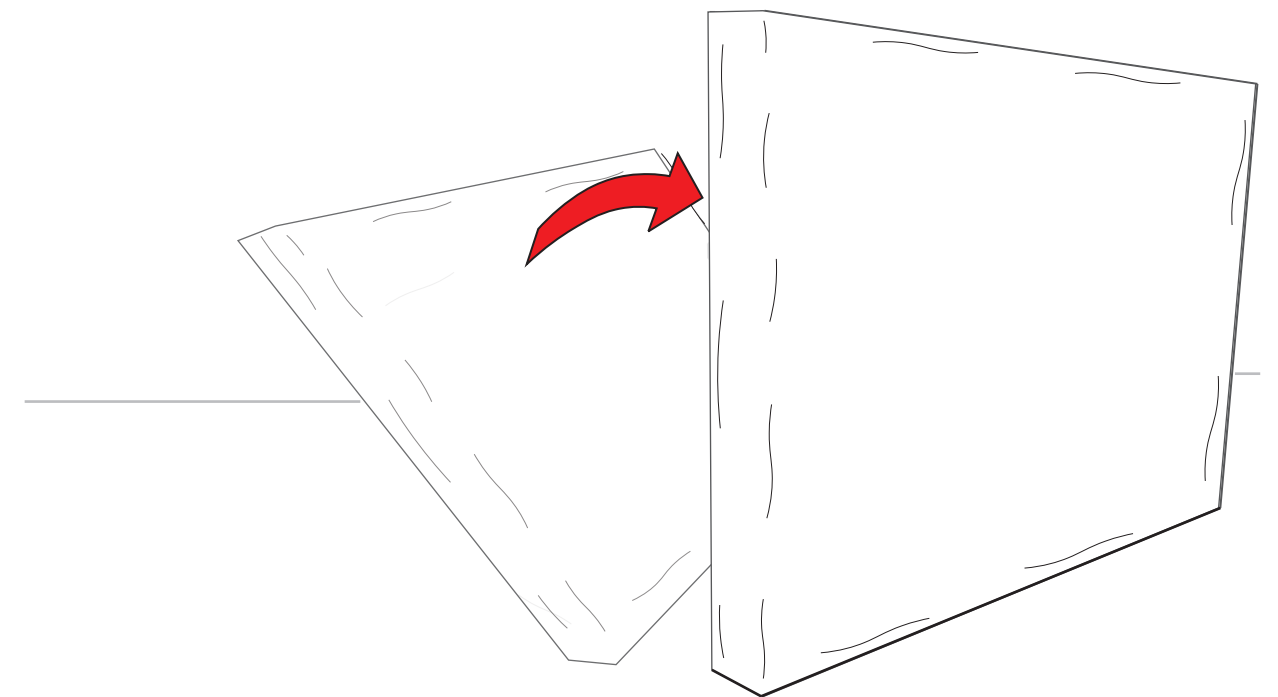
2 CONNECT ALL SIX OF THE RED CONNECTORS TO INSURE A SECURE AND STABLE CONNECTION.



NOTE: LAY THE FRAME FLAT ON THE FLOOR TO ATTACH GRAPHICS.



3 START AT A CORNER OF THE FRAME AND ATTACH THE GRAPHIC WRAP USING THE VELCRO. CONTINUE WORKING YOUR WAY AROUND THE FRAME WITH THE WRAP, INSURING A TIGHT FIT FROM CORNER TO CORNER.



4 ONCE GRAPHICS ARE PROPERLY ATTACHED, CAREFULLY LIFT THE VOOM DISPLAY INTO ITS UPRIGHT POSITION.