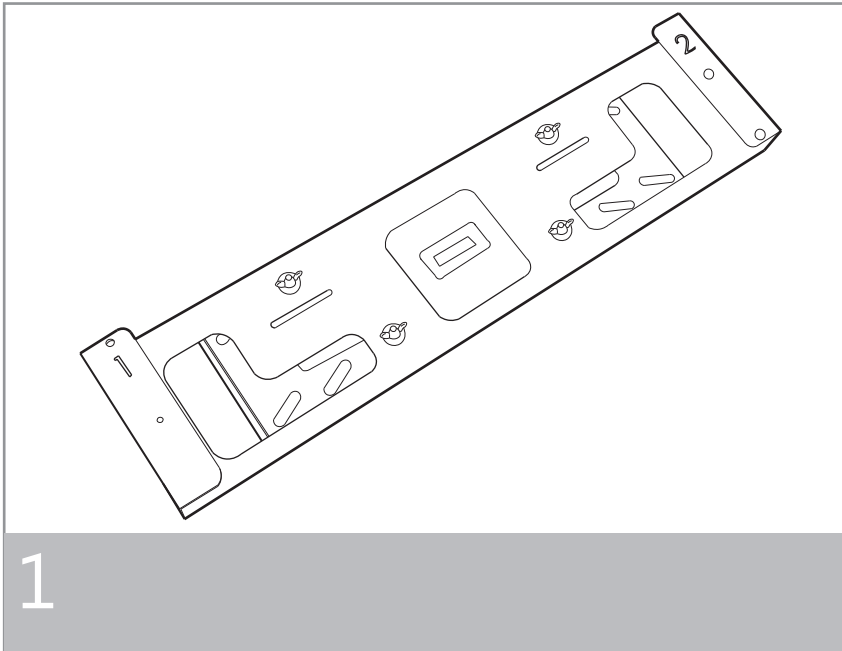
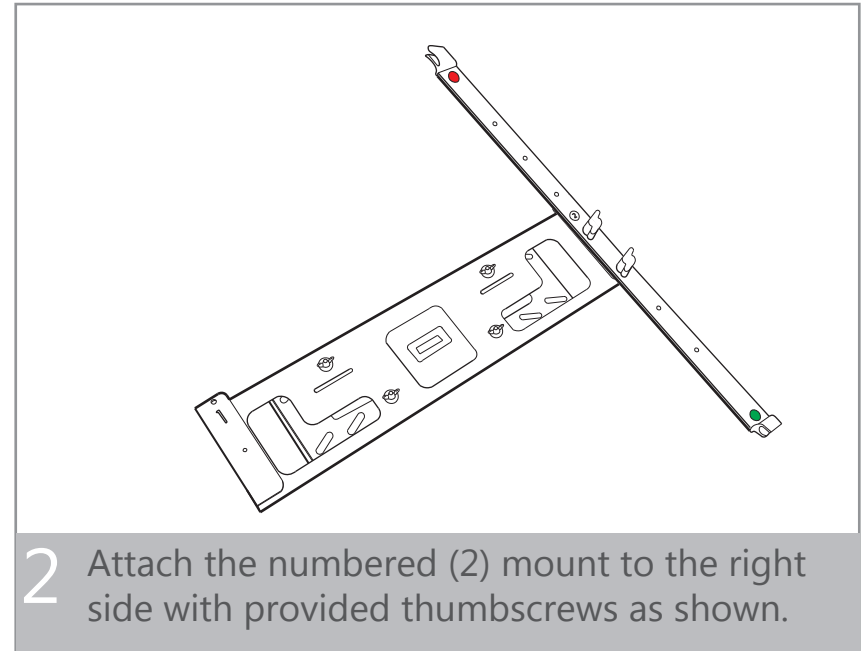


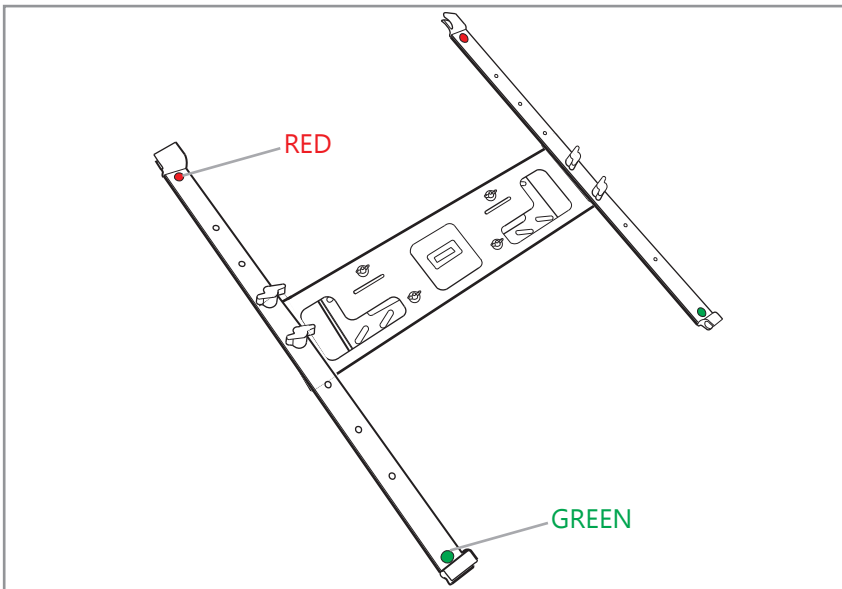
MEDIA MOUNT ASSEMBLY



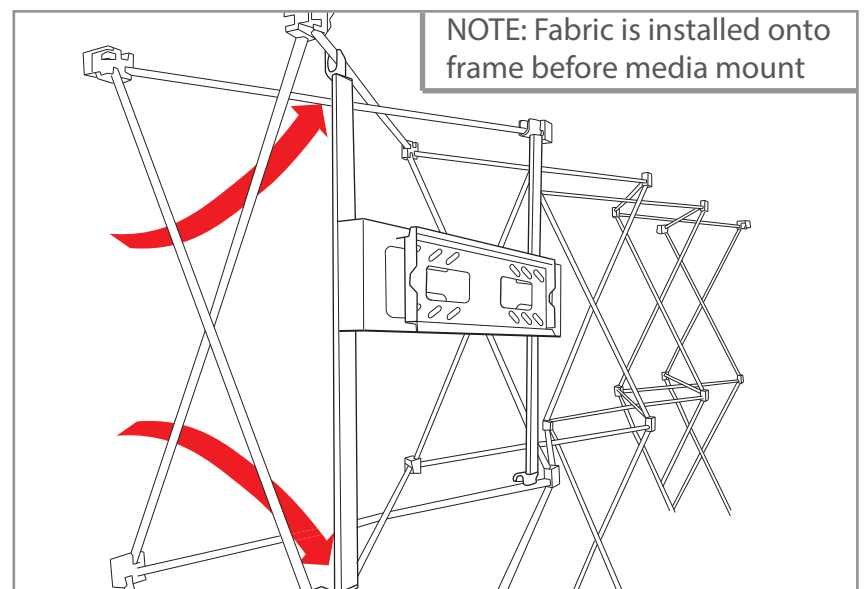
1



2 Attach the numbered (2) mount to the right side with provided thumbscrews as shown.

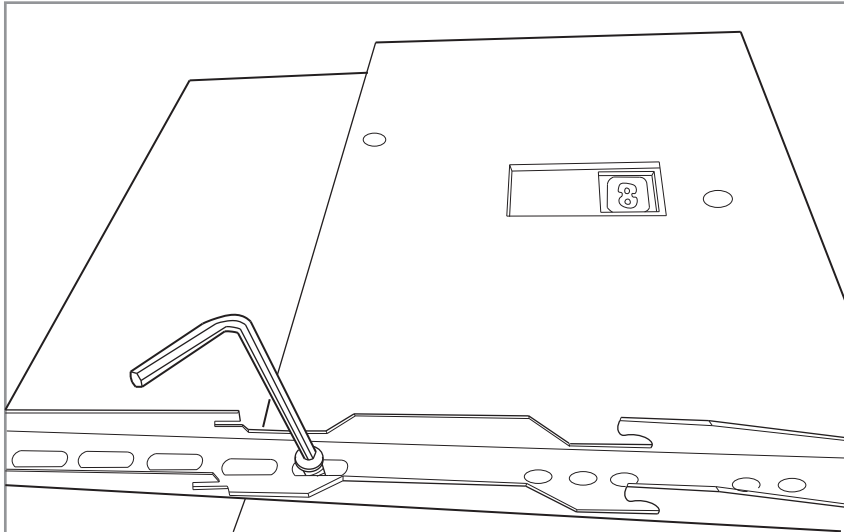


3 Attach the numbered (1) mount to the Left side with provided thumbscrews as shown.

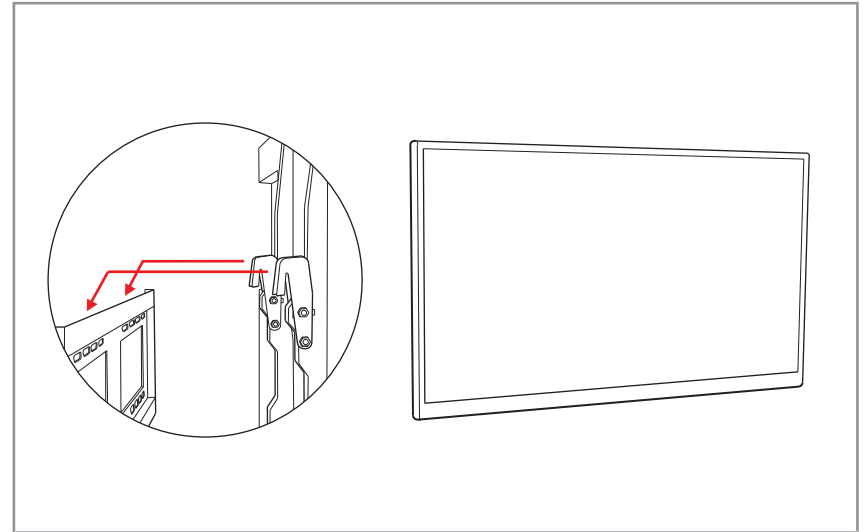


4 From the back side of the frame, attach media mount to REVERB frame as shown.

MEDIA MOUNT ASSEMBLY REVERB™



5 Attach both mount hooks provided screws and allen wrench.



6 Hook monitor onto media mount. Ensure a secure and proper installation.

