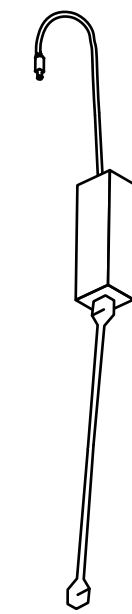


# EXPOLIGHT CURVE BUBBLE ASSEMBLY

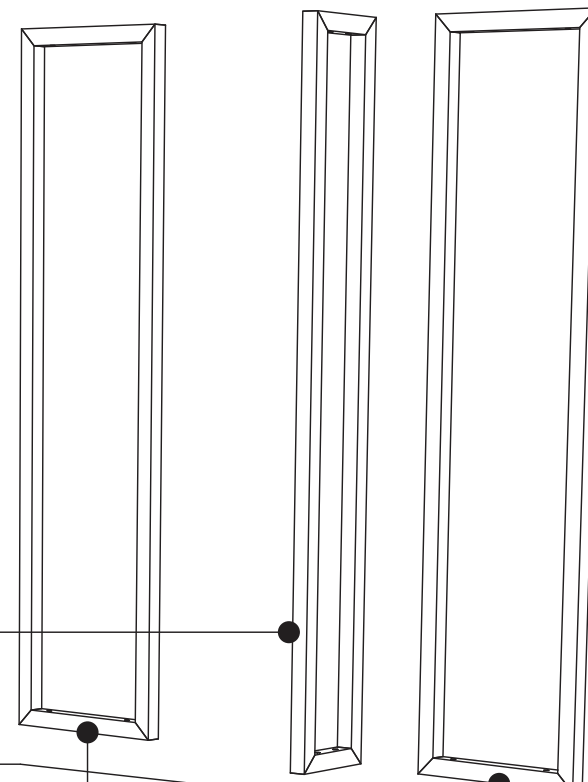


POWER CORD  
& TRANSFORMER



## PARTS NEEDED :

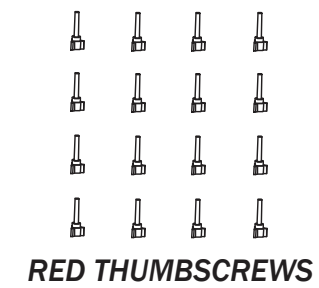
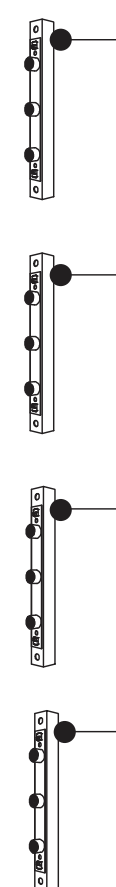
TOP



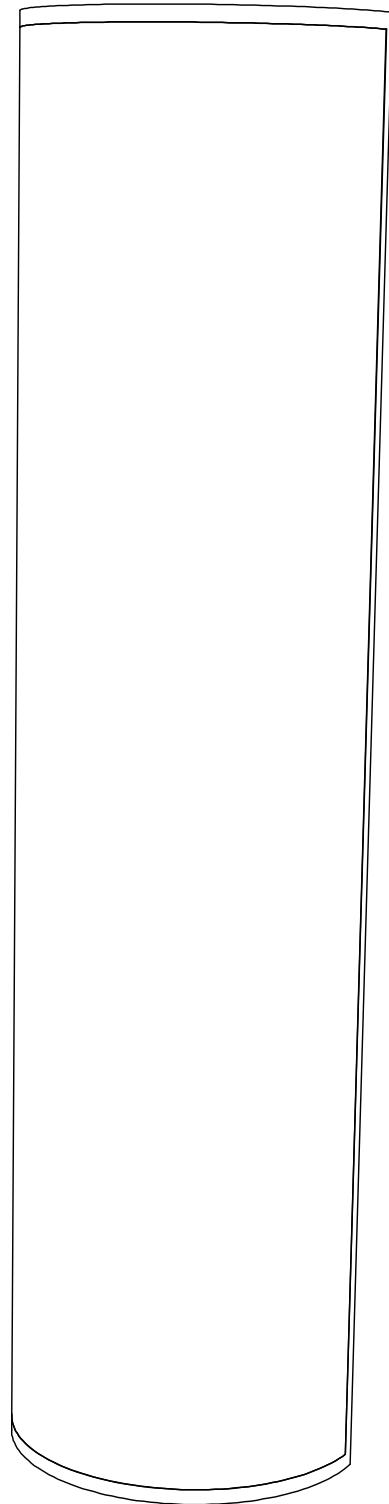
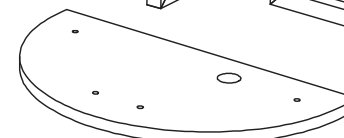
(2)  
6 X 45  
VERTICAL FRAME(S)

(4)  
11 X 45  
VERTICAL FRAME(S)

(4)  
11" LIGHTBAR(S)



BOTTOM WITH FEET



Expo **EXPO** Displays<sup>®</sup>  
A Division of Diamond Displays International

3401 Mary Taylor Road  
Birmingham, Alabama 35235  
(205) 439-8200

Drawn By: CASS

Project Title

Sheet Title

**ASSEMBLY  
INSTRUCTIONS**

**EXPOLIGHT<sup>®</sup>  
ASSEMBLY**

# EXPOLIGHT CURVE BUBBLE ASSEMBLY



**Expo EXPO Displays**  
A Division of Diamond Displays International

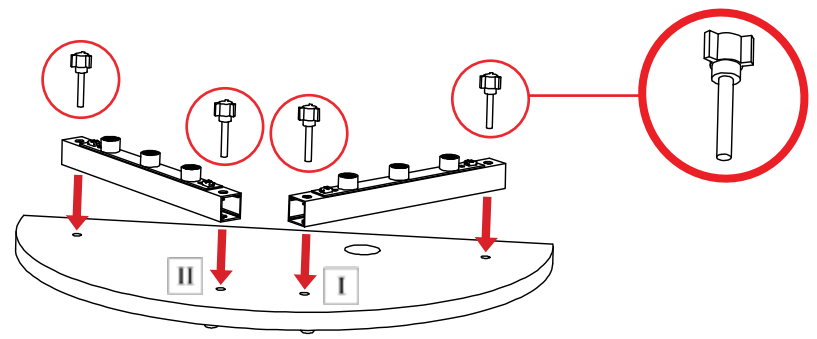
3401 Mary Taylor Road  
Birmingham, Alabama 35235  
(205) 439-8200

Drawn By: CASS

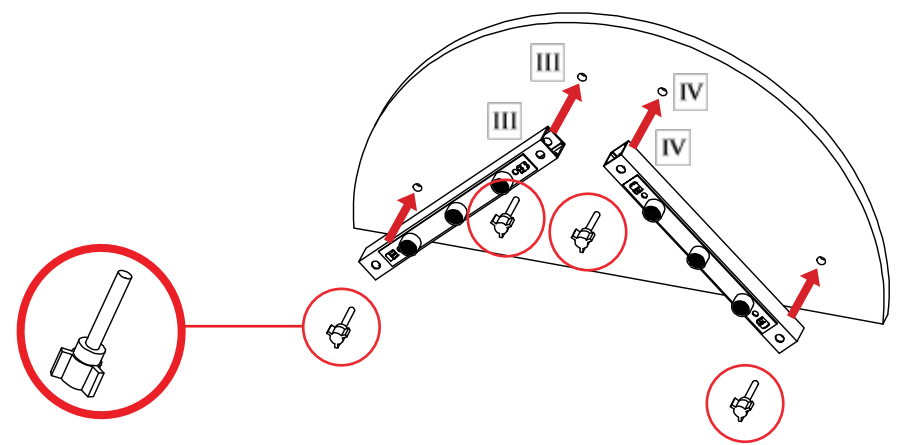
Project Title

Sheet Title

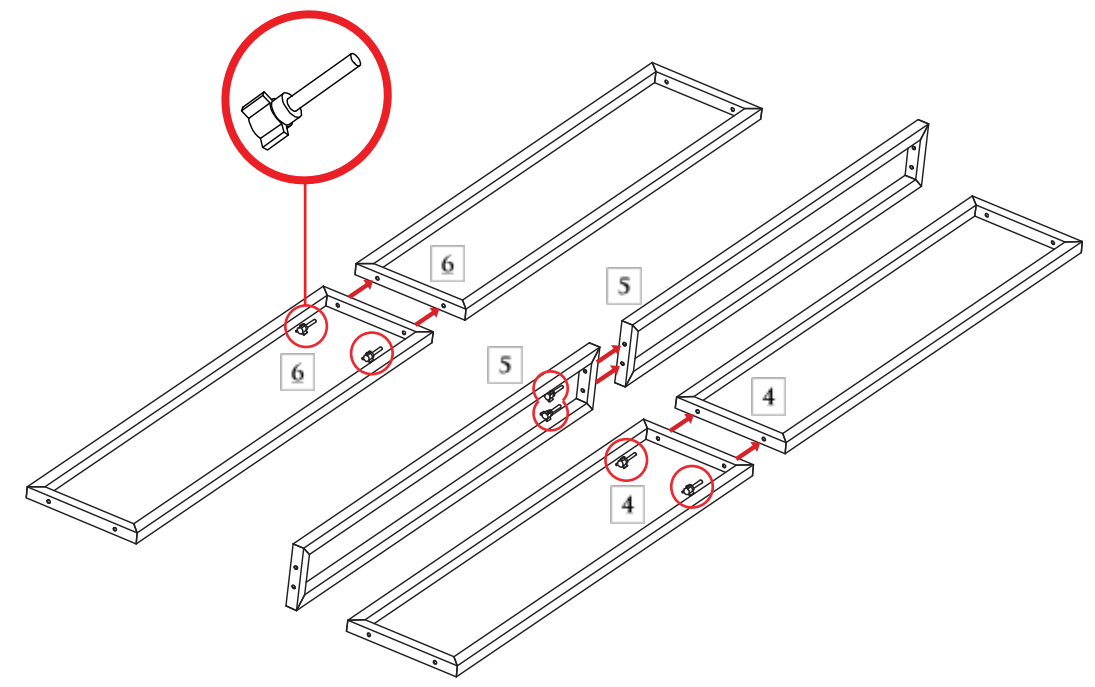
**ASSEMBLY INSTRUCTIONS**  
**EXPOLIGHT® ASSEMBLY**



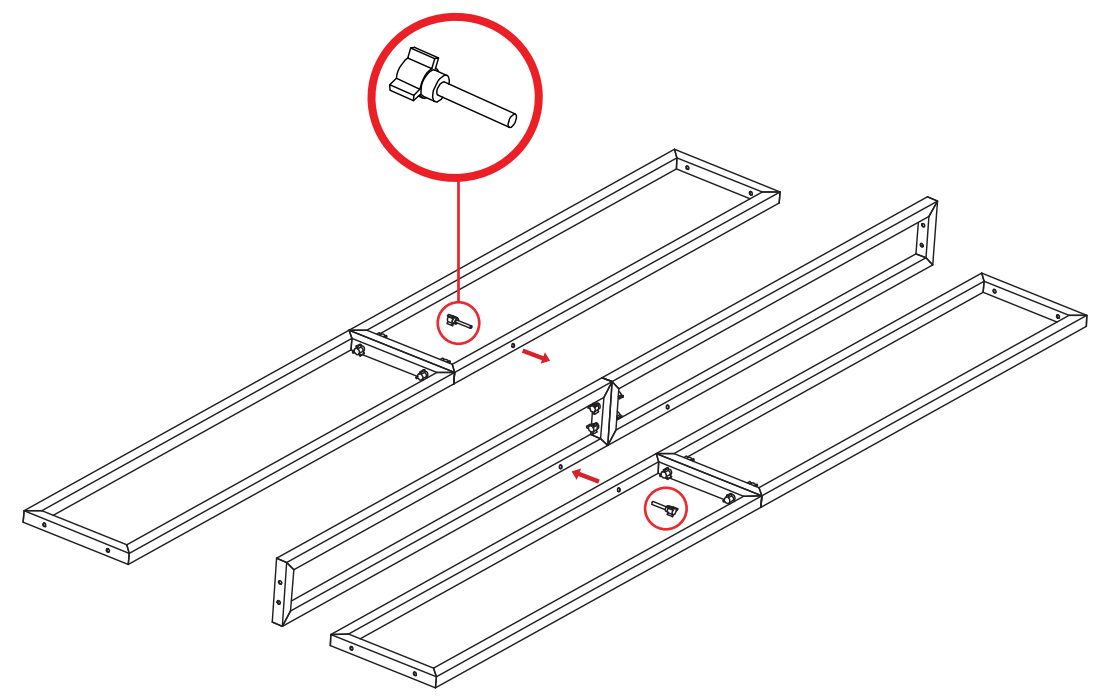
**STEP 1**  
MATCH NUMBERS TO CONNECT  
**( 2 ) 11" LIGHTBARS**  
TO **BOTTOM WITH FEET** WITH  
**( 4 ) RED THUMBSCREWS** AS SHOWN



**STEP 2**  
MATCH NUMBERS TO CONNECT  
**( 2 ) 11" LIGHTBARS TO TOP**  
WITH **( 4 ) RED THUMBSCREWS** AS SHOWN

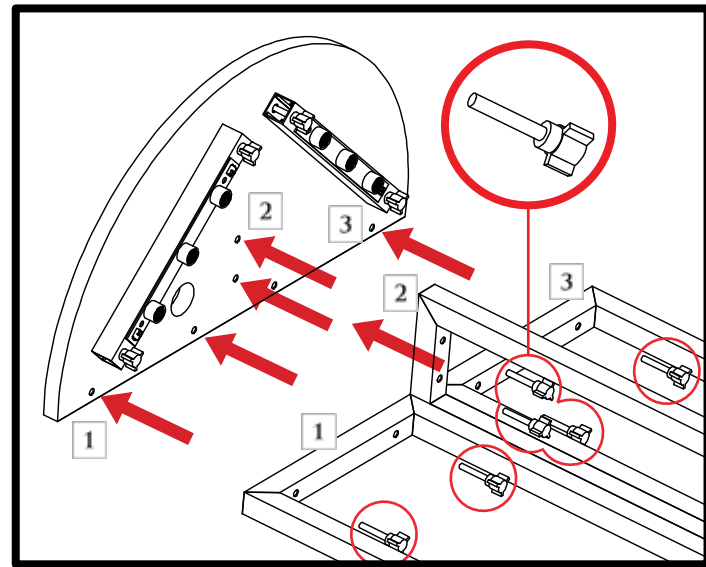


**STEP 3**  
MATCH NUMBERS TO CONNECT  
**( 2 ) PAIRS OF 11" X 45" VERTICAL FRAMES &**  
**( 1 ) PAIR OF 6" X 45" VERTICAL FRAMES**  
WITH **( 2 ) RED THUMBSCREWS** PER PAIR AS SHOWN

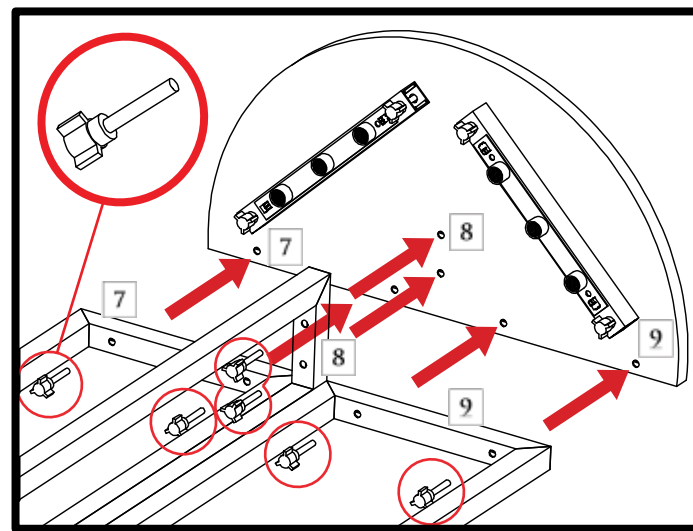
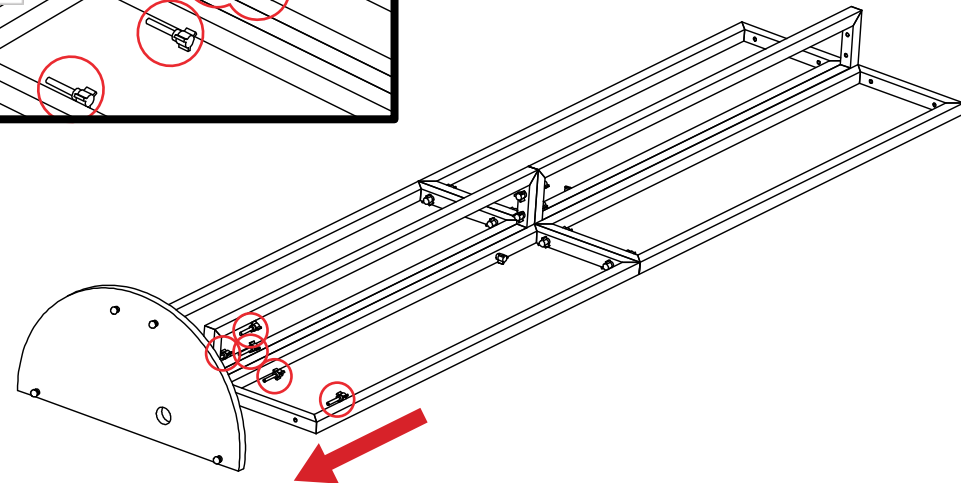


**STEP 4**  
MATCH NUMBERS TO CONNECT  
**( 2 ) JOINED 11" X 45" VERTICAL FRAMES**  
TO JOINED CENTER **6" X 45" VERTICAL FRAME**  
WITH **( 2 ) RED THUMBSCREWS** ON EACH SIDE AS SHOWN

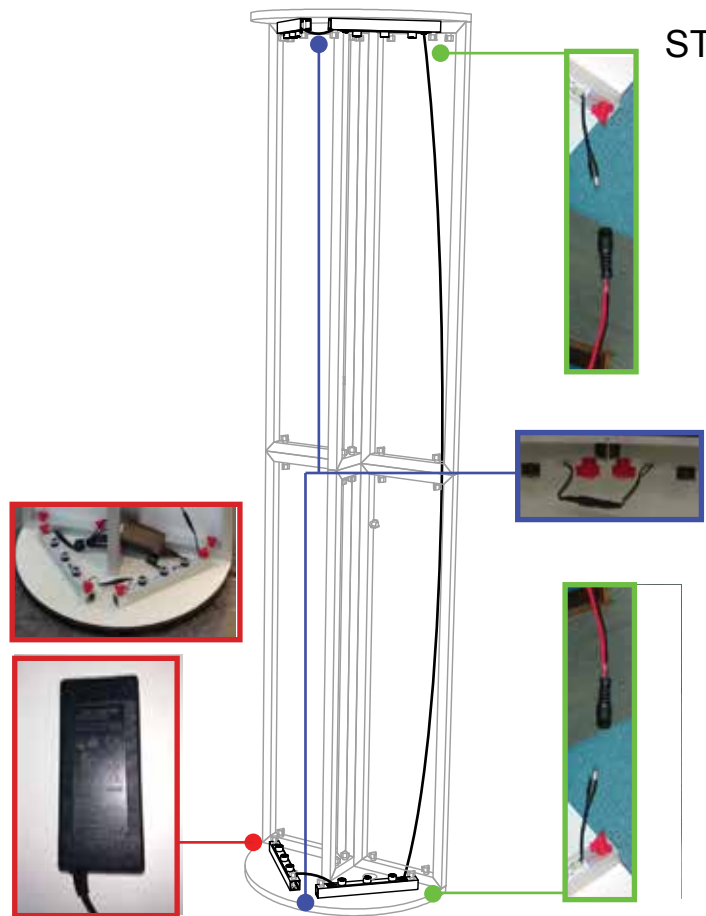
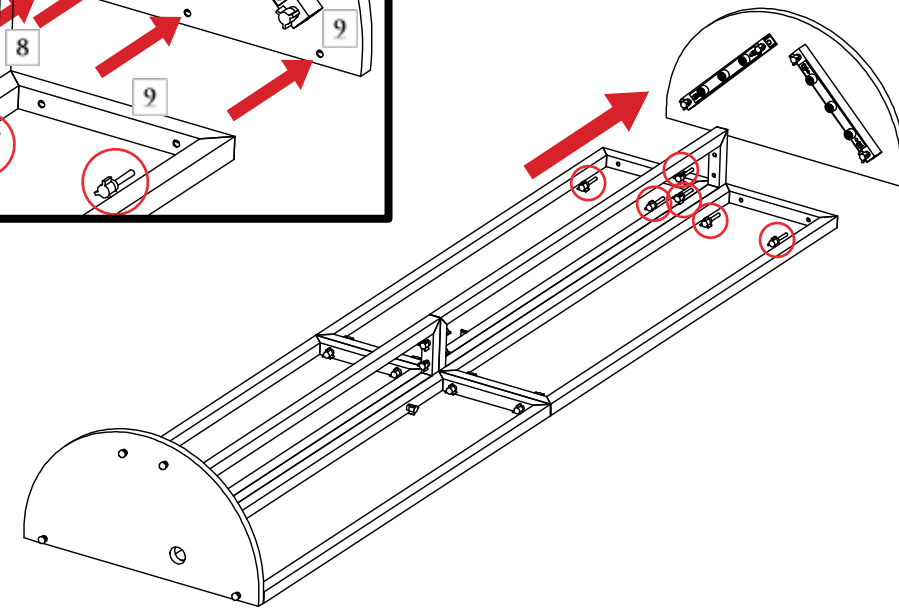
# EXPOLIGHT CURVE BUBBLE ASSEMBLY



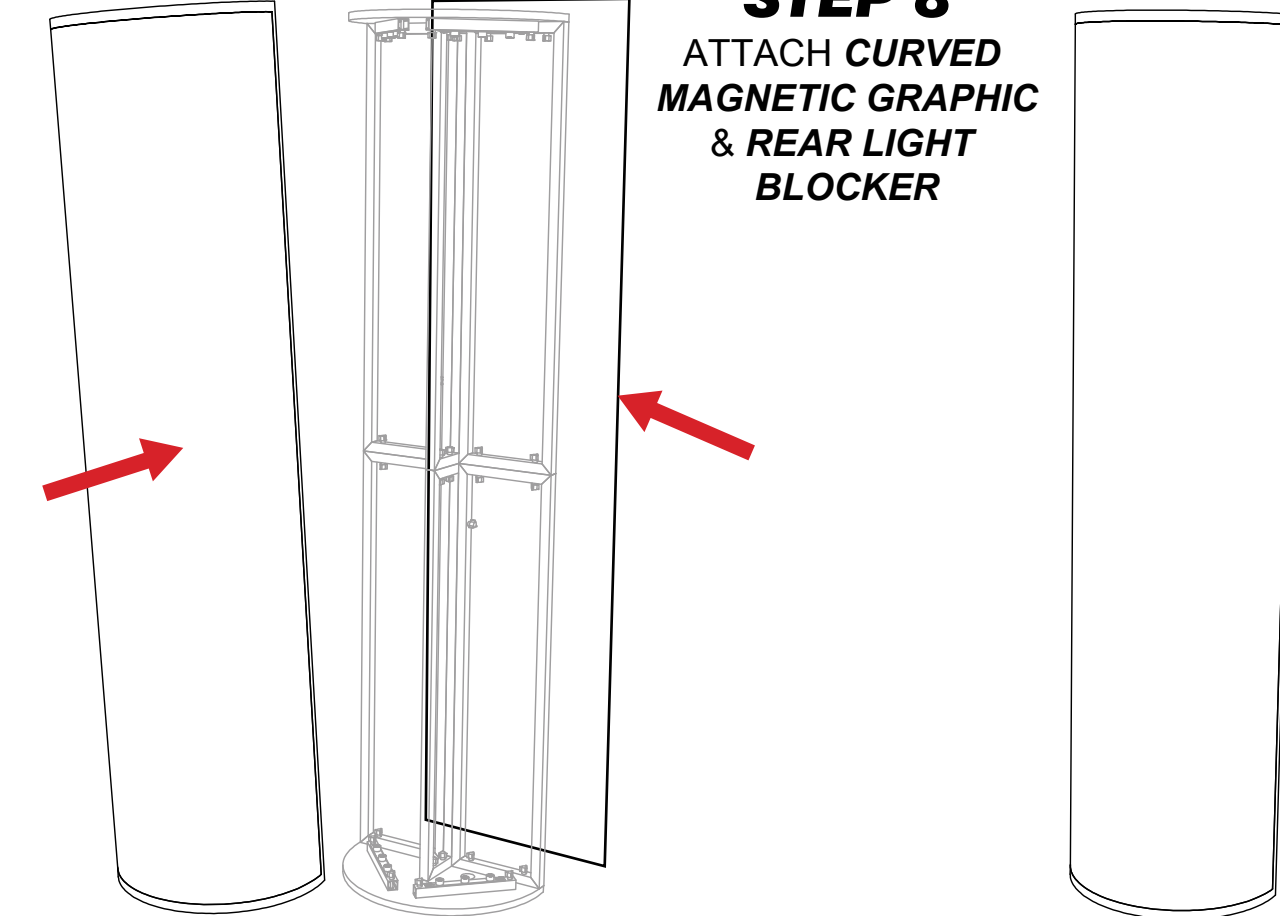
**STEP 5**  
MATCH NUMBERS TO CONNECT  
**BOTTOM WITH FEET**  
TO **VERTICAL FRAME STRUCTURE**  
WITH ( 6 ) **RED THUMBSCREWS**  
AS SHOWN



**STEP 6**  
MATCH NUMBERS TO  
CONNECT **TOP TO**  
**VERTICAL FRAME STRUCTURE**  
WITH ( 6 ) **RED THUMBSCREWS**  
AS SHOWN



**STEP 7**  
STAND ASSEMBLED FRAME UPRIGHT  
THEN CONNECT **LIGHT BARS**  
WITH **POWER CORDS** AND  
**ARRANGE POWER SUPPLY**  
AS SHOWN



**STEP 8**  
ATTACH **CURVED**  
**MAGNETIC GRAPHIC**  
& **REAR LIGHT**  
**BLOCKER**



**Expo EXPO Displays**  
A Division of Diamond Displays International

3401 Mary Taylor Road  
Birmingham, Alabama 35235  
(205) 439-8200

Drawn By: CASS

Project Title

Sheet Title

**ASSEMBLY  
INSTRUCTIONS**  
**EXPOLIGHT®  
ASSEMBLY**