

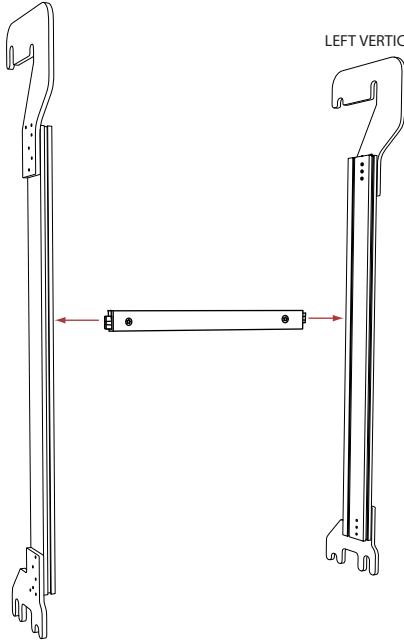
# POP-UP SHELF MOUNT

## ASSEMBLY INSTRUCTIONS

### 1. CONNECT CUSTOM CENTER BAR TO EACH VERTICAL SECTION.

RIGHT VERTICAL ARM

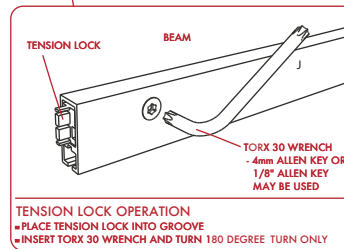
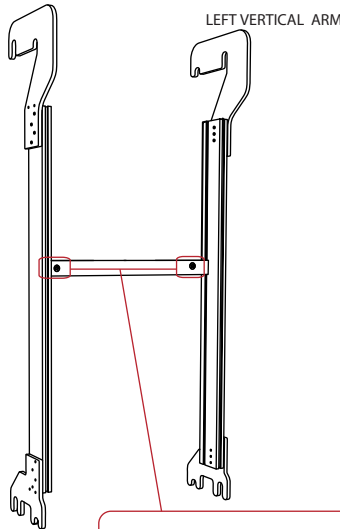
LEFT VERTICAL ARM



### 2. SECURELY LOCK THE TWO LOCKS, TURN A FULL 180 DEGREES

RIGHT VERTICAL ARM

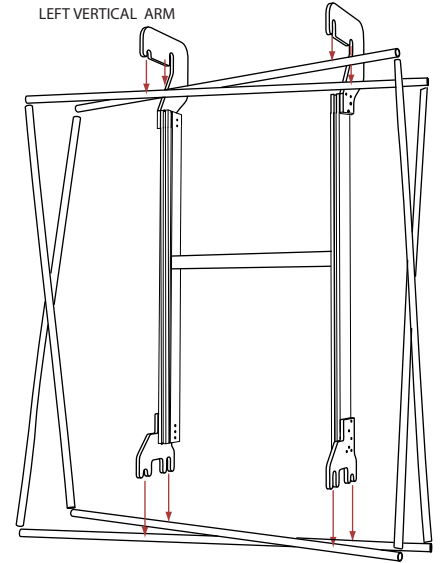
LEFT VERTICAL ARM



### 3. LINE THE MOUNTS CENTER WITH THE CENTER PIVOT OF THE FRAME. THEN GENTLY HOOK THE UNIT OVER THE TOP BARS.

LEFT VERTICAL ARM

RIGHT VERTICAL ARM

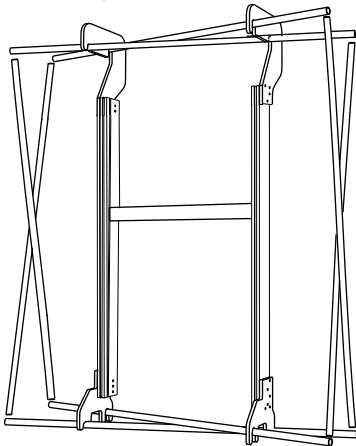


### 4. SECURE THE SYSTEM BY GENTLY PULLING THE UNIT DOWN ONTO ITS CORRESPONDING POINTS ALONG THE FRAME.

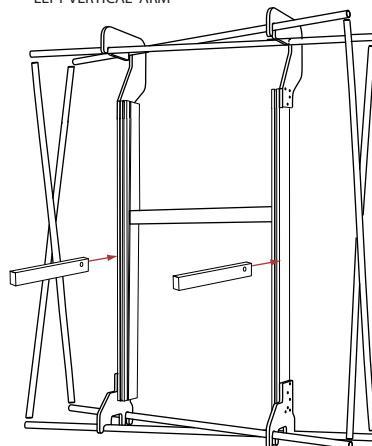
### 5. MAKE SURE THE SYSTEM IS SECURE AND LEVEL, THEN ATTACH SHELF SUPPORTS. MATCH ARROW POINTS FOR PROPER PLACEMENT.

### 6. SET SHELVES ONTO THE SECURE SHELF SUPPORTS AFTER THE GRAPHIC PANEL HAS BEEN ATTACHED TO THE FRAME.

RIGHT VERTICAL ARM  
LEFT VERTICAL ARM



LEFT VERTICAL ARM  
RIGHT VERTICAL ARM



GRAPHIC PANEL

ABS SHELF

