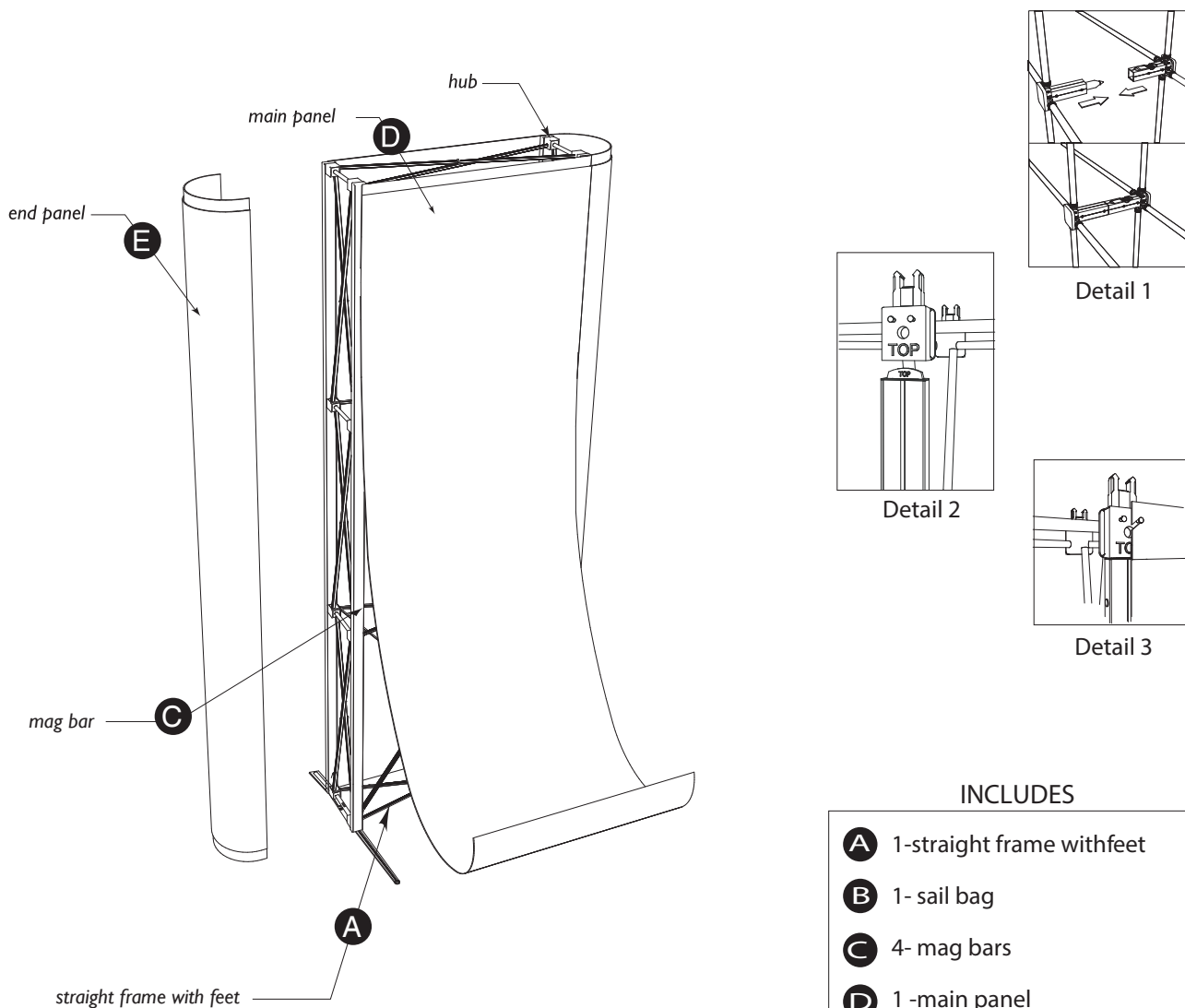


1. Place frame on floor with light brackets on top and lights (optional) facing forward.
2. Grasp the top of the frame with both hands and extend framework until you are able to reach the two middle center hubs. Push them towards each other until framework is extended to full height (do not lift frame by lighting). Snap the 2 aluminum connectors together (detail 1).
3. Unfold the mag bars, and slide hinged sections together. Repeat for both hinge locations (hinges fold in opposite directions). Install mag bar top into recessed bottom of light bracket (detail 2) with magnets facing out, then "snap" the rear opening of the mag bar at the hinge onto each stud projecting from the units hubs. Repeat this action for all front hubs and the left and right side rear hubs.
4. Remove fabric/graphic panel(s) from case and locate hooks on upper corners. Hang hooks on the frame over the silver metal rivets on the light brackets (detail 3). Hang the panel(s) on the rivets starting with the main panel.
5. Hang the two end panels the same way; one side attaches to a hanging metal rivet on the front side of the display, and the other side attaches to the back metal hanging rivet to form the curve.



**INCLUDES**

- A** 1-straight frame with feet
- B** 1- sail bag
- C** 4- mag bars
- D** 1 -main panel
- E** 2- 1 piece end panels
- F** 1 -small case
- G** 2- halogen lights (optional)