


1. Place two cases back-to-back.
2. Remove the fabric podim wrap from the case and unroll it.
3. Center the fabric podium wrap with the front center of the case.
4. Line up the velcro strips on the case and fabric wrap.
5. Attach tightly around the cases so velcro seams line up on the back side.

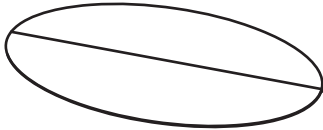
(Lids may vary depending on cases)

PODIUM TOP INSTRUCTIONS

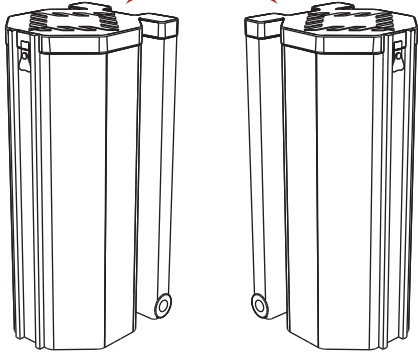
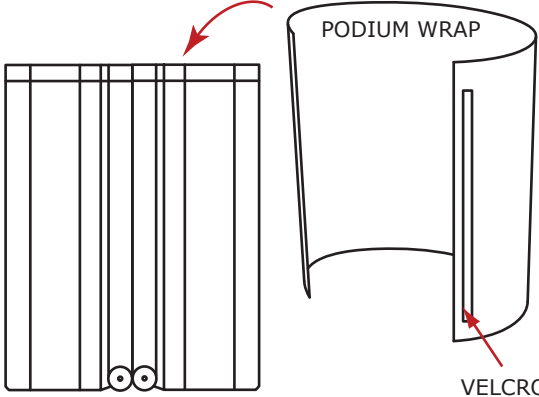
1. Unfold the hinged top.



2. Set it on the top of the case.



PODIUM INSTRUCTIONS

1. 
2. 

BACK-TO-BACK CASES

