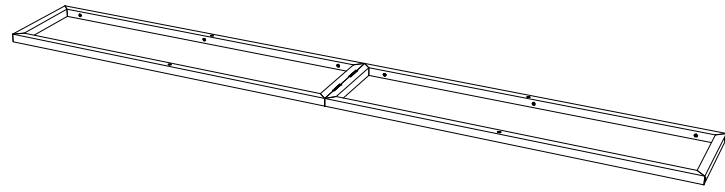


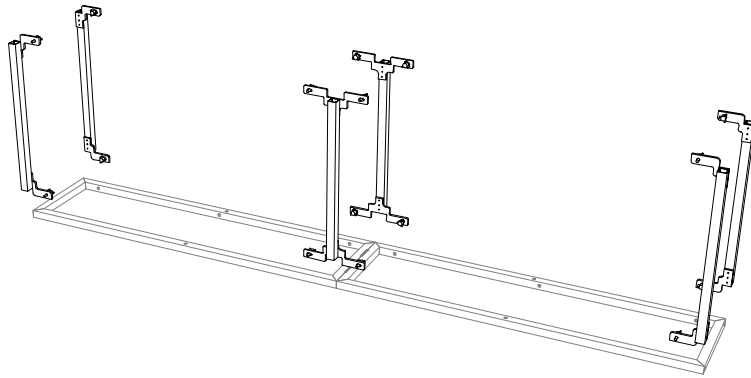
1st Step)

START WITH THE LEFT VERTICAL HINGED (LVH1) ON THE GROUND



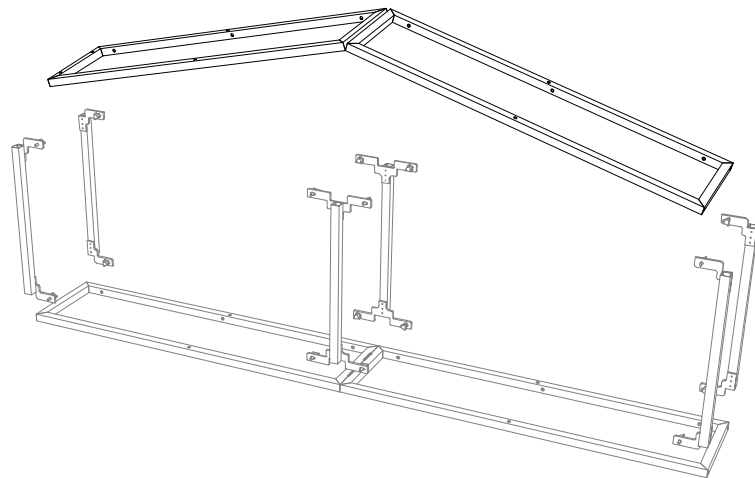
2nd Step)

ATTACH THE (2) TOP HORIZONTAL (TH2), THE (2) MIDDLE HORIZONTAL (MH2), AND THE (2) BOTTOM HORIZONTAL (BH2)



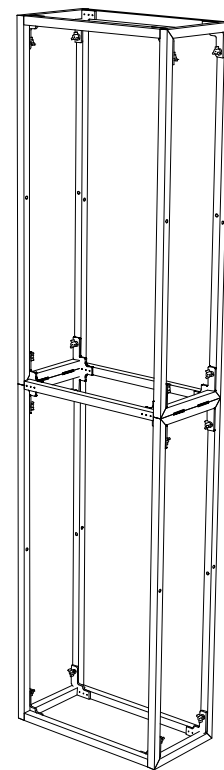
3rd Step)

ATTACH THE RIGHT HINGED SIDE (RVH1)



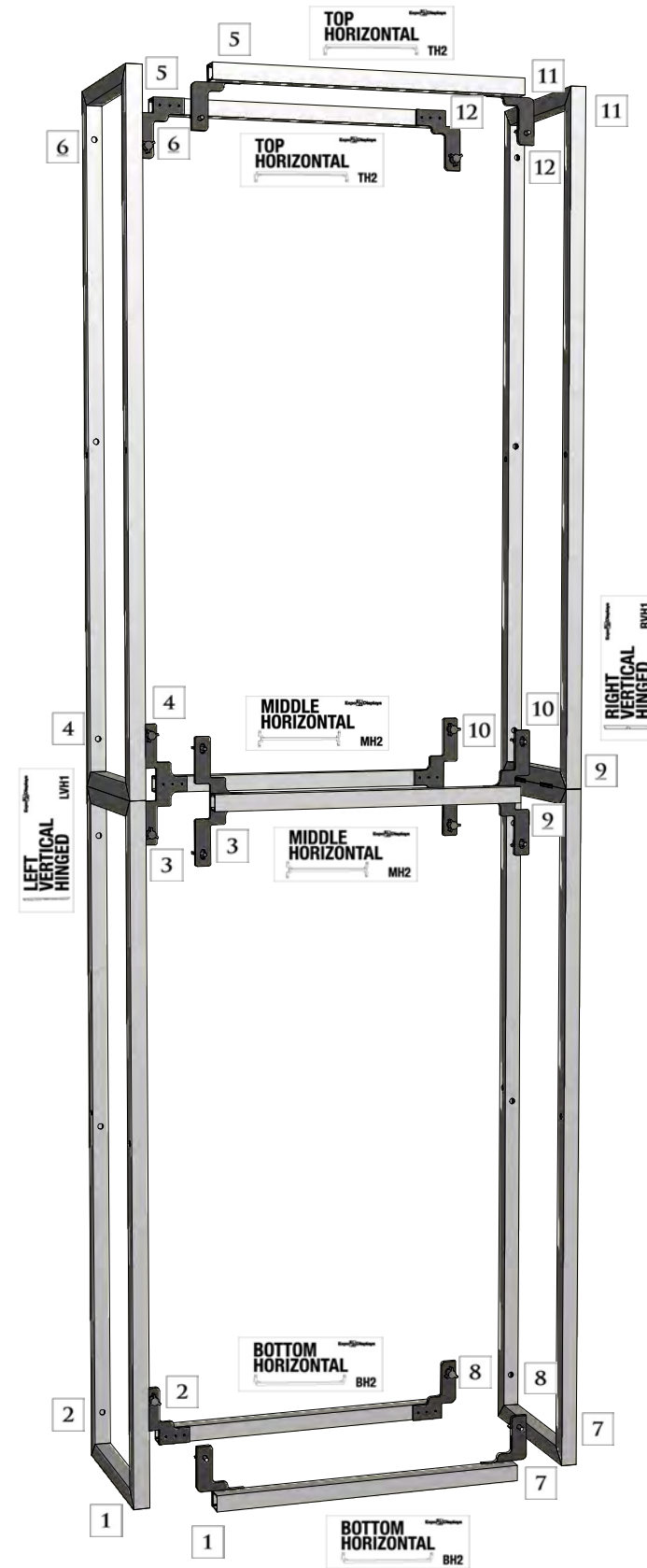
4th Step)

STAND UP-RIGHT



PARTS LIST		
QNTY	LABEL	NAME
1	LVH1	LEFT VERTICAL HINGED
1	RVH1	RIGHT VERTICAL HINGED
2	BH2	BOTTOM HORIZONTAL
2	MH2	MIDDLE HORIZONTAL
2	TH2	TOP HORIZONTAL
16	GRN	1" GREEN THUMB SCREW
4	RED	2" RED THUMB SCREW

*MATCH NUMBERS TO CONSTRUCT



Expo Displays

3401 Mary Taylor Road
Birmingham, Alabama 35235
(205) 439-8200

Drawn By: AKHIII

THIS PART USED TO MAKE
MQ-F14
1x4 STANDARD FRAME

ASSEMBLY
INSTRUCTIONS
1x4 STANDARD FRAME
MQ-F14

APPENDIX D