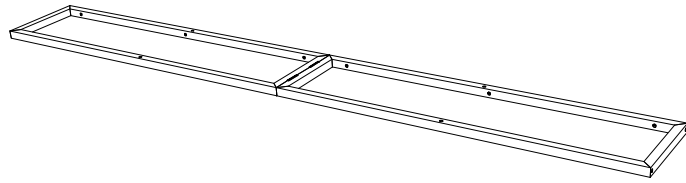


PARTS LIST		
QNTY	LABEL	NAME
1	LVH1	LEFT VERTICAL HINGED
1	RVH1	RIGHT VERTICAL HINGED
2	BH1	BOTTOM HORIZONTAL
2	MH1	MIDDLE HORIZONTAL
2	TH1	TOP HORIZONTAL
2	CVH1	CENTER VERTICAL HINGED
20	GRN	1" GREEN THUMB SCREW
4	RED	2" RED THUMB SCREW

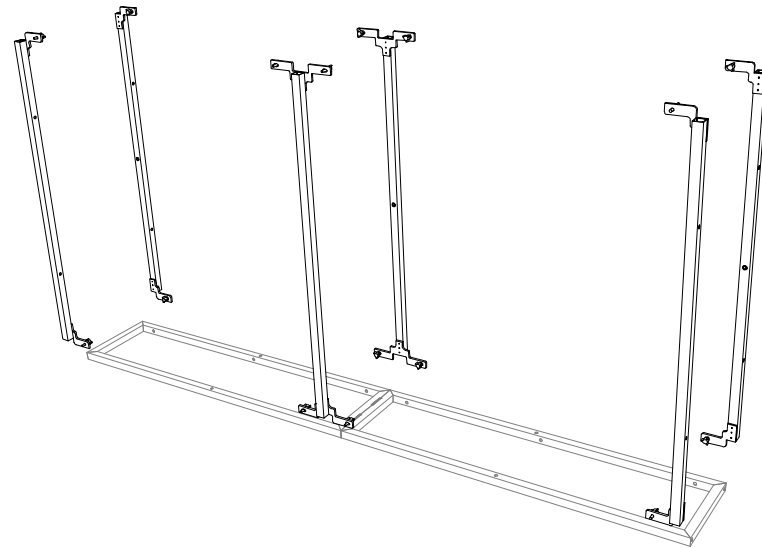
**1st Step)**

**START WITH THE LEFT VERTICAL HINGED (LVH1) ON THE GROUND**



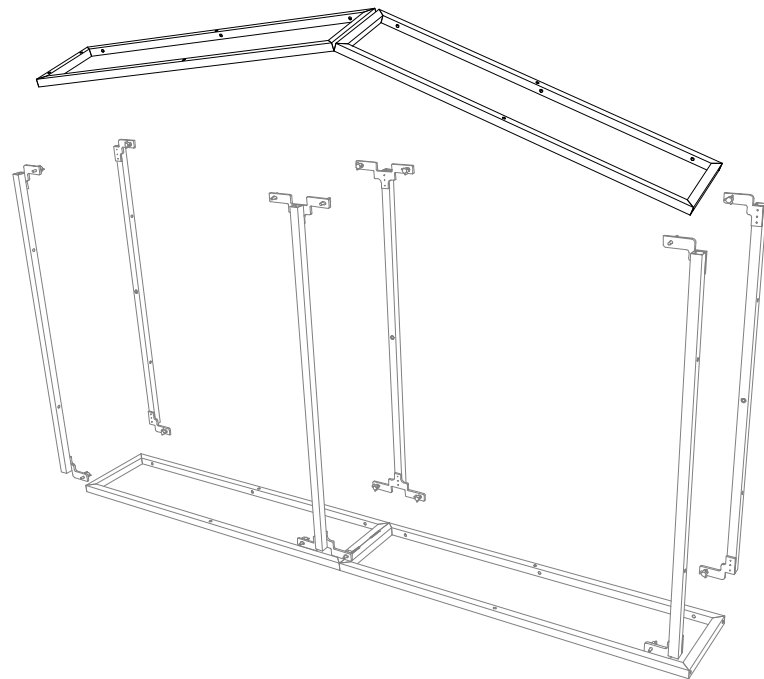
**2nd Step)**

**ATTACH THE (2) TOP HORIZONTAL (TH1), THE (2) MIDDLE HORIZONTAL (MH1), AND THE (2) BOTTOM HORIZONTAL (BH1)**



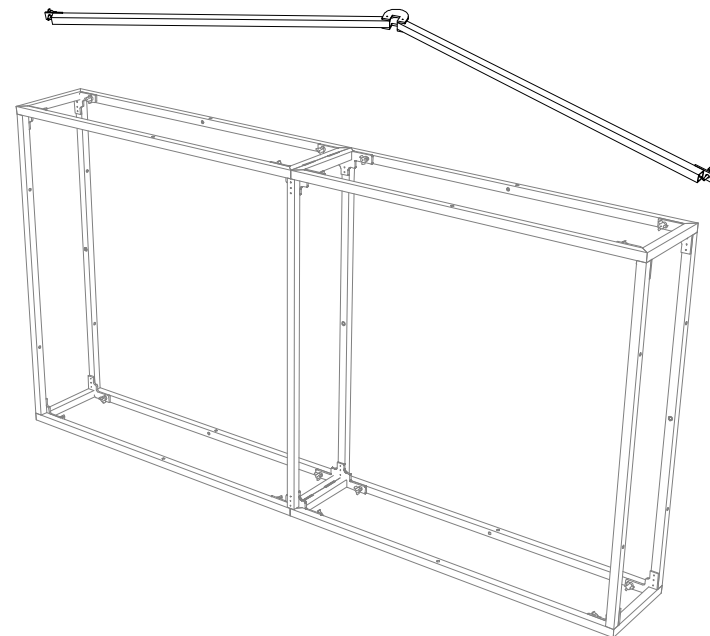
**3rd Step)**

**ATTACH THE RIGHT HINGED SIDE (RVH1)**

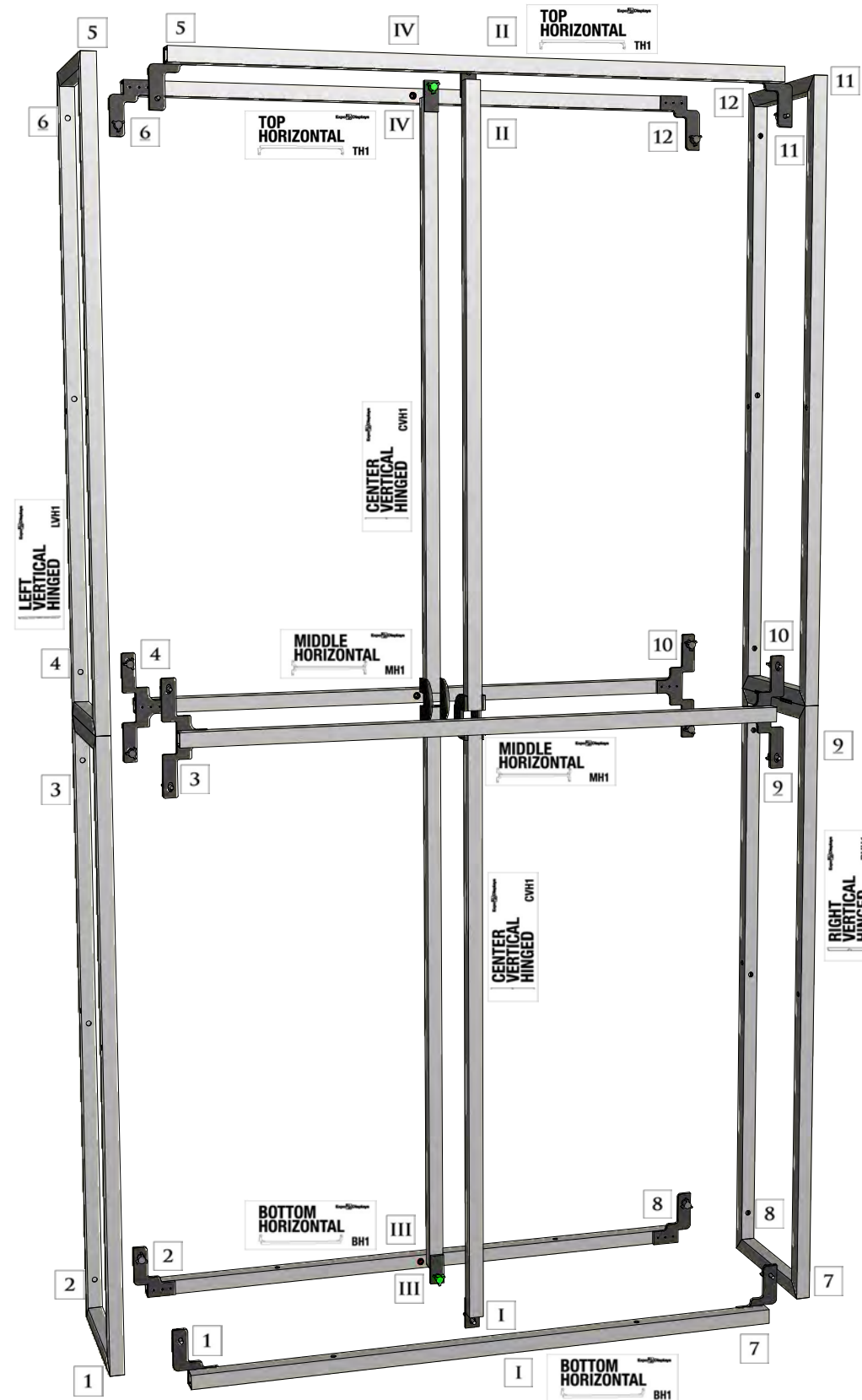


**4th Step)**

**ATTACH THE (2) CENTER VERTICAL HINGED (CVH1) AND STAND UP-RIGHT**



**\*MATCH NUMBERS TO CONSTRUCT**



**Expo Displays**

3401 Mary Taylor Road  
Birmingham, Alabama 35235  
(205) 439-8200

Drawn By: AKHIII

THIS PART USED TO MAKE  
**MQ-F24**  
2x4 STANDARD FRAME

**ASSEMBLY INSTRUCTIONS**  
2x4 STANDARD FRAME  
MQ-F24

**APPENDIX B**